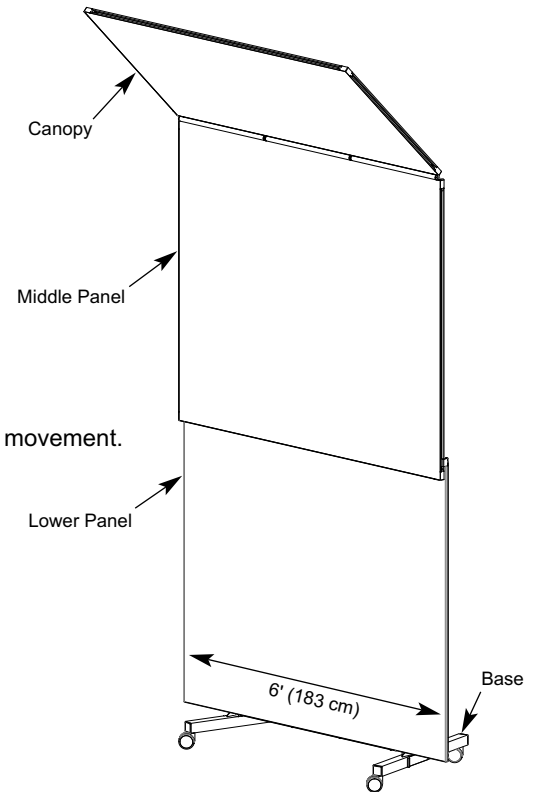
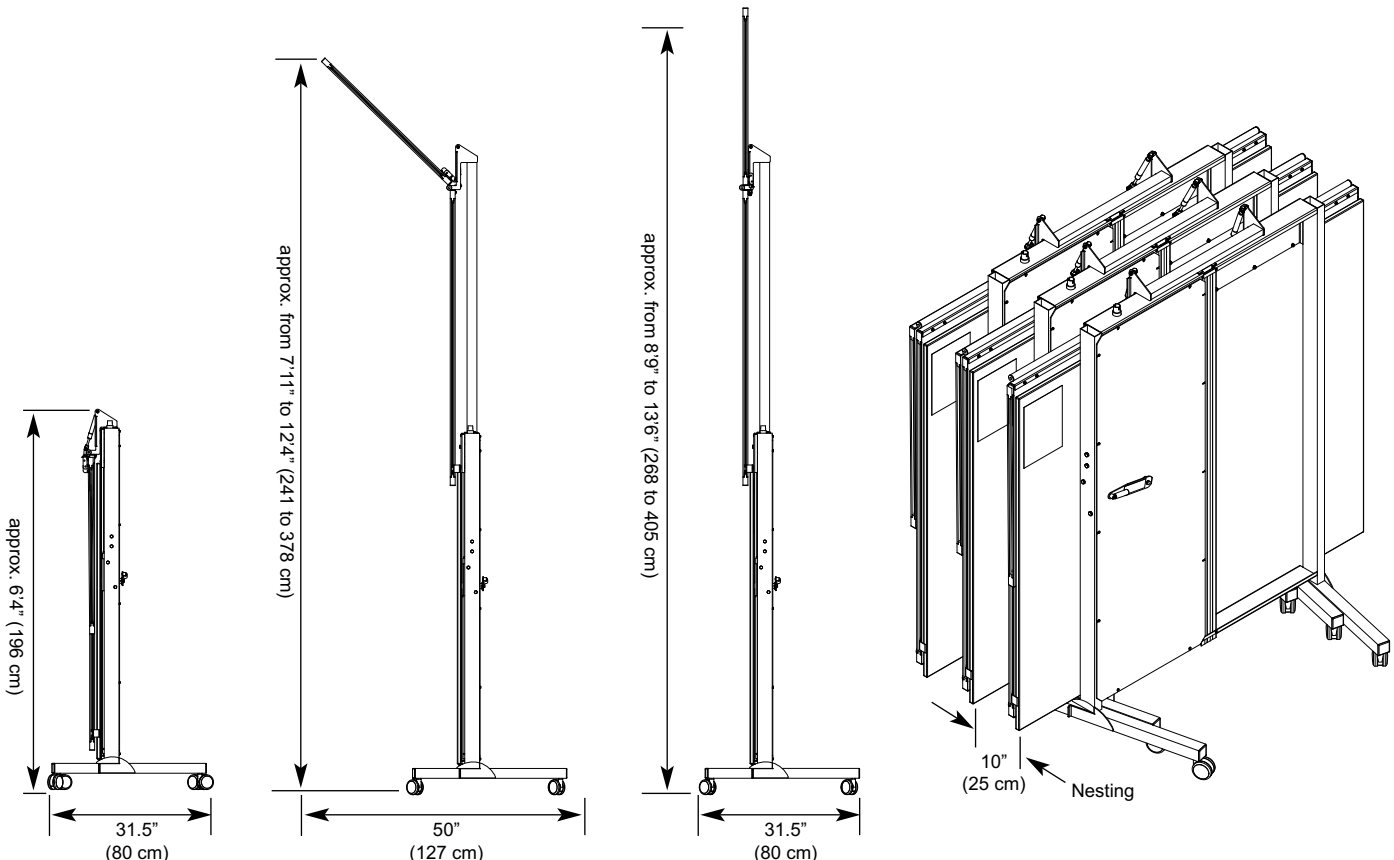


# Legacy® Basic Acoustical Shell

- 186H016, Tapered Canopy, 296 lbs. (134 kg).
- 186H017, Rectangular Canopy, 304 lbs. (138 kg).
- 6' (183 cm) wide panels.
- Canopy and Middle Panels are constructed of ¾" (19 mm) honeycomb core with 0.10" (2.54 mm) thick laminated hardboard skin on front and back. Overall panel thickness is 1" (25.4 mm).
- Fixed Bottom Panel is constructed of ¾" (19 mm) laminated particleboard with grey ⅛ (3mm) edgebanding.
- The Canopy Panel may be set at 45, 60, 75, and 90 degree angles using gas assists to hold the Canopy at the desired angle.
- Base and Shell Frame are constructed of black power-coat painted steel.
- Base includes protruding legs at the front of the shell.
- Lift mechanism includes a crank handle with a pulley design assisted by a torsion spring to raise and lower the shell. The shell is fully deployed into its Performance Position with just six turns.
- The Middle Panel overlaps the Bottom Panel in the Performance Position.
- Canopy Panel dimensions are 6' wide x 36" high (183 x 91 cm).
- Includes four 3" dia. (91 mm) swivel, non-marring thermoplastic casters for easy movement.
- Fits through a standard 36" (91 cm) door opening in the Storage Position.
- Bottom panel rests 7" (18 cm) from floor.
- Overall shell surface coverage is 78 ft². (7.2 m²).
- Fully extended height is 13' (396 cm).
- Front panel color is a neutral Oyster that allows the shell to be placed almost anywhere.
- Shells nest compactly at 10" (25 cm) per unit.
- Shipped assembled.
- 5-year warranty.
- Set up videos are available at [www.wengercorp.com](http://www.wengercorp.com).
- Environmental attributes and LEED compliance for this product can be found at [www.wengercorp.com/GREEN](http://www.wengercorp.com/GREEN) or by contacting your Wenger representative.



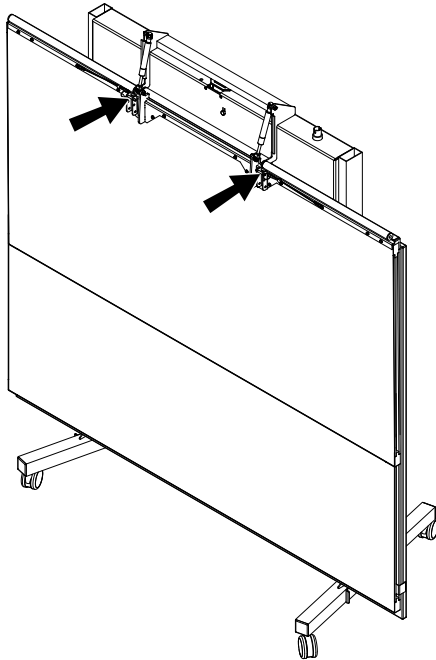
**Legacy Basic Acoustical Shell**



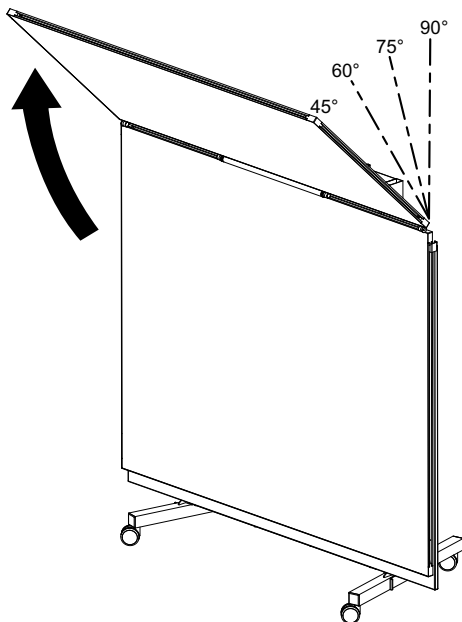
**Easy Set-Up Instructions**

General Setup includes:

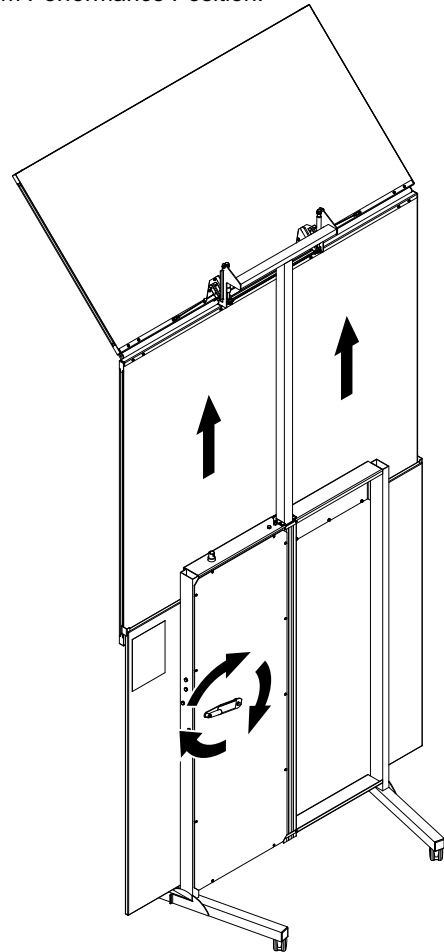
1. Roll the tower as close to the final Performance Position as possible.
2. Insert a Pin into both of the Brackets to set the Canopy Panel Performance Angle.



3. Raise the Canopy Panel until it contacts the Stop Pins. The Panel will hold itself in place.



4. Turn the Crank clockwise to raise the panels. The Crank will stop when the panels reach the maximum Performance Position.



**Legacy Basic Acoustical Shell Data:**

Max Height	.....13'6" (405 cm)
Storage Height	.....6'4" (196 cm)
Width	.....6'0" (183 cm)
Storage Depth	.....31.5" (80 cm)
Nesting Depth	.....10" (25 cm)
Canopy Depth	.....36" (91 cm)

**WENGER CORPORATION**  
 555 Park Drive, PO Box 448  
 Owatonna, MN 55060-0448  
 Phone 800.4WENGER (493.6437)  
 Fax 507.455.4258  
 Customer Service 800.887.7145

**WENGER CORPORATION**  
**CANADIAN REPRESENTATIVE OFFICE**  
 Phone 800.268.0148

**WORLDWIDE**  
 Phone 507.455.4100  
 Fax 507.774.8576

**WEB SITE**  
[wengercorp.com](http://wengercorp.com)

