

DO NOT remove or disassemble the pallet at this time.

! CAUTION

Failure to follow these instructions could result in serious injury or damage to the shell.

! CAUTION

Read the Assembly Instructions before removing the pallet or unbanding the shell.

IF THERE IS A FORKLIFT AND LOADING DOCK

Remove the shell from the truck upright as it was shipped.

IF THERE IS A LOADING DOCK, BUT NO FORKLIFT

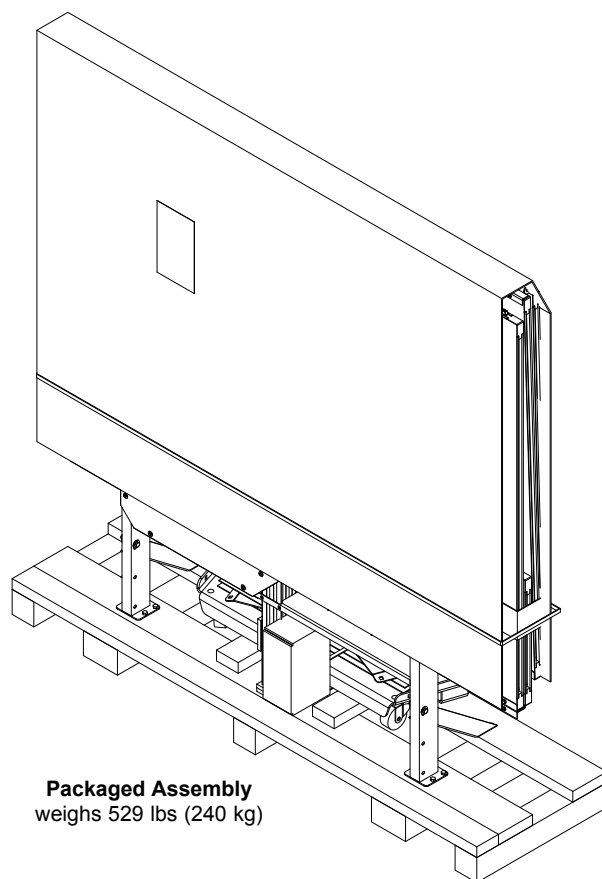
Shells are top-heavy, Keep the shell upright. Slide it off the truck, leading with one of the narrow ends or move with a pallet jack.

IF THERE IS NO LOADING DOCK

The delivery truck is required to have a lift gate.

CAREFULLY lower the pallet to the ground.

DO NOT DROP!



Packaged Assembly
weighs 529 lbs (240 kg)