

CONTENTS

Safety Precautions	3
Required Tools	3
Before Assembly	3
Assembly	4

Note: Please read and understand these Assembly Instructions for the Legacy Basic Acoustical Shell before assembling the parts.

Note: Refer to the illustrations on the following pages. If you need additional information, write or telephone Wenger Corporation at the number below.

SAFETY PRECAUTIONS

Throughout this manual you may find cautions and warnings which are defined as follows.

- **WARNING** means that failure to follow the instruction may result in serious injury or death.
- **CAUTION** means that failure to follow the instruction may result in serious injury or damage to property.

Read all of these safety instructions before setting up the Legacy Acoustical Shell components.

 CAUTION	 CAUTION	 CAUTION
<i>Make sure that anyone assembling the Legacy Basic Acoustical Shell has read and understands these instructions.</i>	<i>Failure to comply with Warnings and Cautions in this document can result in damage to property or serious injury.</i>	<i>Always observe and comply with the Warnings and Cautions posted on the system equipment.</i>

REQUIRED TOOLS

The following tools are required to assemble the Legacy Basic Acoustical Shell:

- $\frac{9}{16}$ " Wrench
- $\frac{3}{4}$ " Open End Combination Wrench
- $\frac{1}{2}$ " Wrench
- Utility Knife (to cut plastic wrap and banding)

BEFORE ASSEMBLY

Units should be assembled indoors, in a well-lighted space with a level floor. Choose an area close to the performance space - a backstage scene shop is ideal. Make sure units will fit through any doors between the assembly area and the performance space.

It is recommended that two people are used in the assembly process.

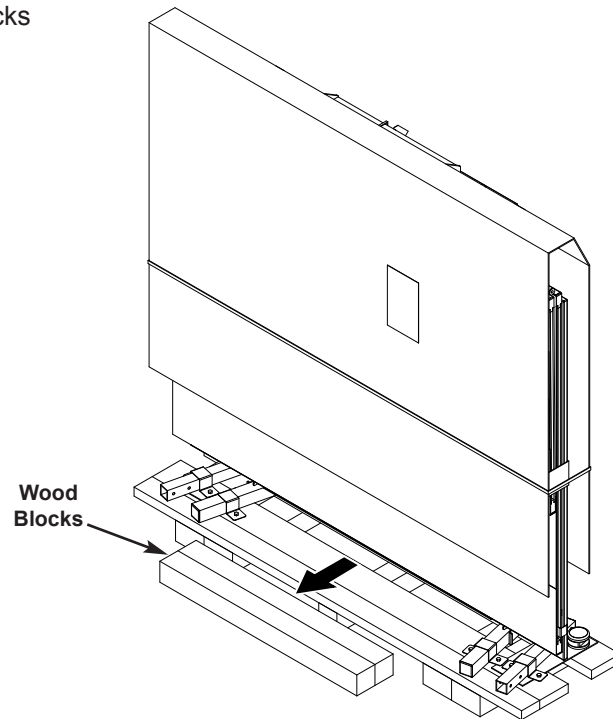
ASSEMBLY

1. Remove the Hardware Bag and check the contents. It should contain the following:

2	Casters, 3 x 2" Wide	4	$\frac{3}{8}$ -16 x 2- $\frac{1}{2}$ " Capscrew
4	$\frac{3}{8}$ -16 Lock Nut		

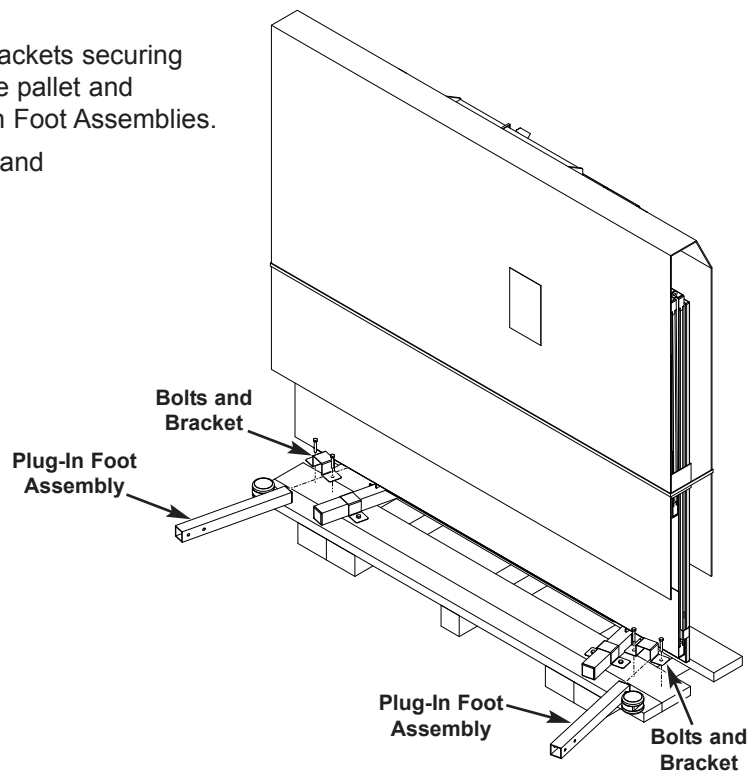
2. Remove the screws securing the two wood blocks to the pallet.

Discard the wood blocks.



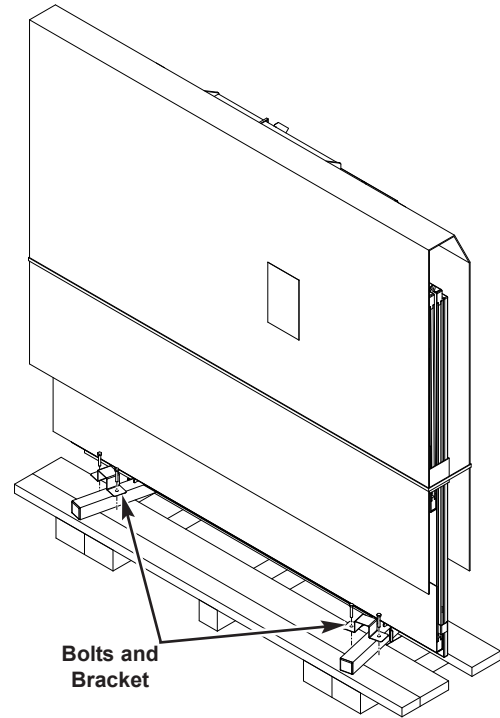
3. Unbolt and remove the screws and brackets securing the two Plug-In Foot Assemblies to the pallet and cut the Tie-Straps securing the Plug-In Foot Assemblies.

Remove the Plug-In Foot Assemblies and set them aside.

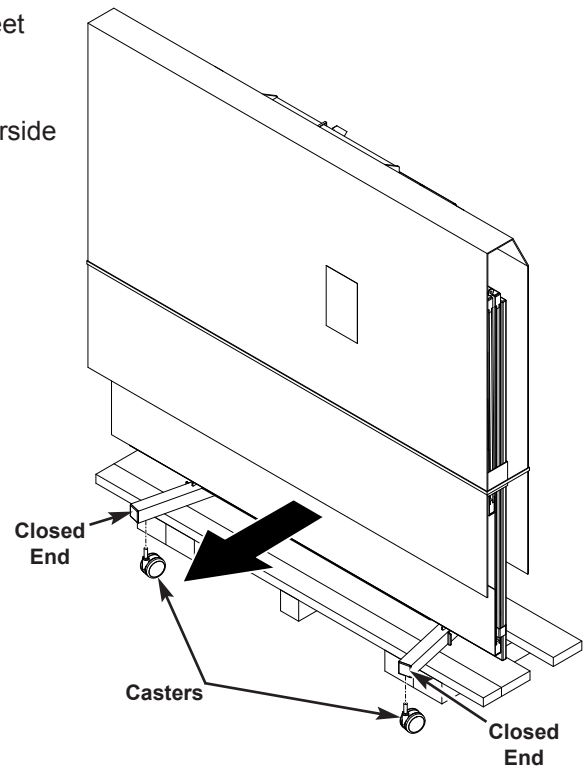


ASSEMBLY CONTINUED

4. Unbolt and remove the screws and brackets securing the Shell to the pallet.

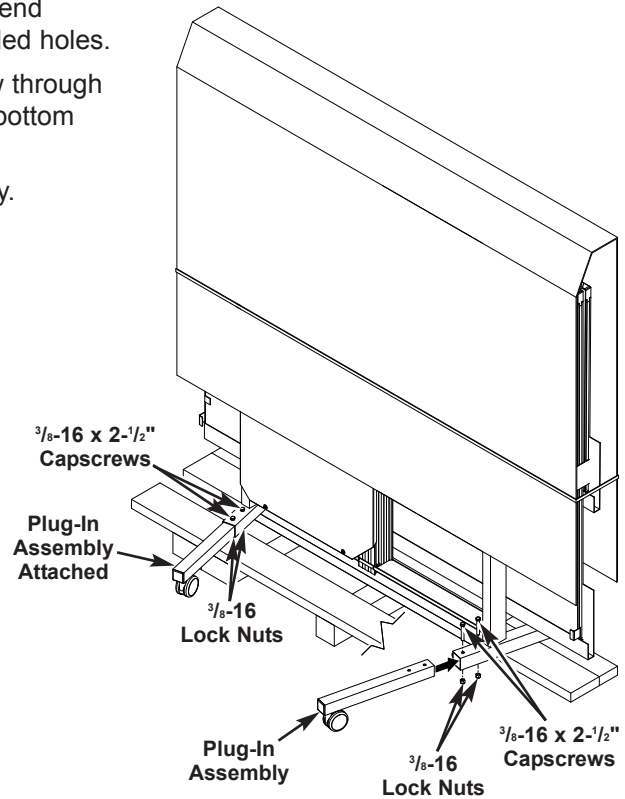


5. Slide the shell over until the closed ends of both Feet extend beyond the edge of the pallet.
Locate the two Casters in the Hardware Pack and screw each one into the threaded hole on the underside of each foot.

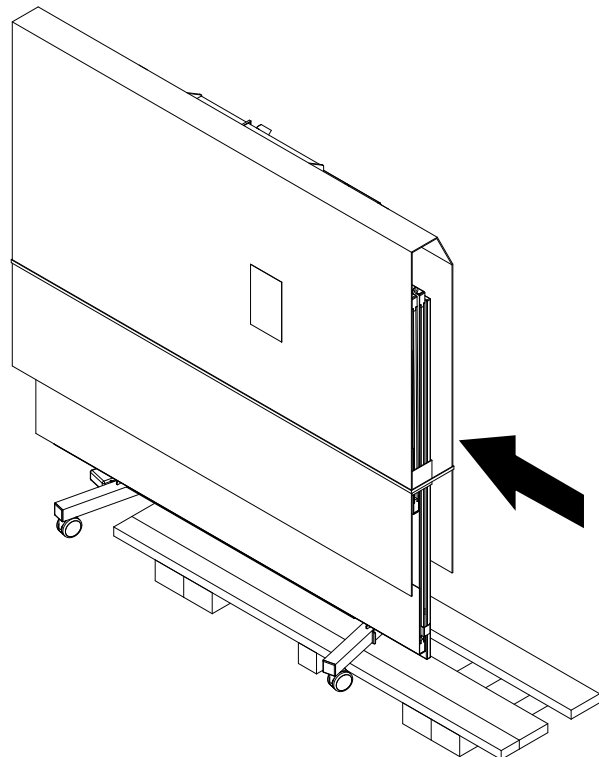


ASSEMBLY CONTINUED

- Slide one Plug-In Foot Assembly into the open end of one of the feet and align both sets of pre-drilled holes. From the top, insert one $\frac{3}{8}$ -16 x 2- $\frac{1}{2}$ " Capscrew through each set of pre-drilled holes and secure at the bottom with a $\frac{3}{8}$ -16 Lock Nut. Repeat for the remaining Plug-In Foot Assembly.

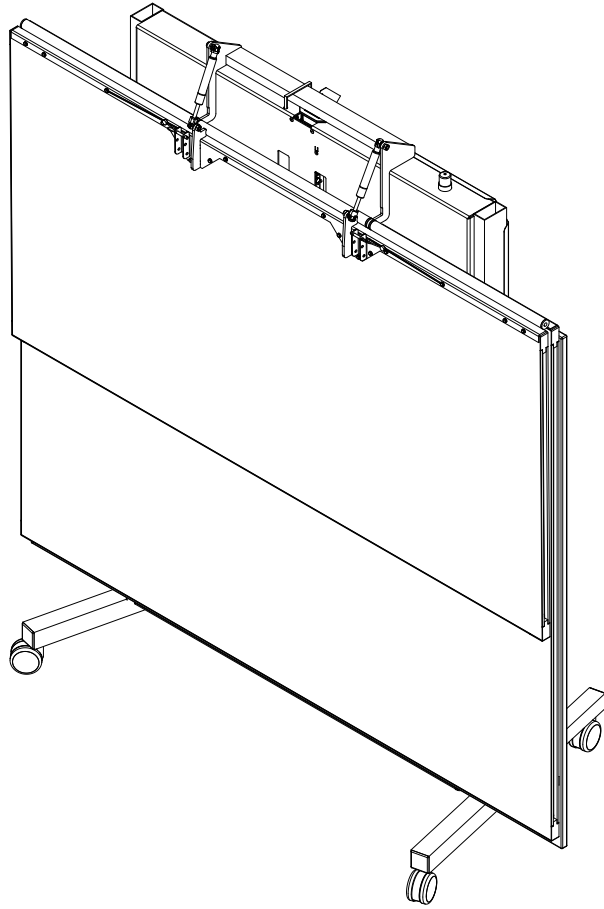


- Using more than one person, carefully slide the shell off of the pallet and onto the floor as shown.



ASSEMBLY CONTINUED

8. Remove any remaining cardboard, banding, tape and packaging.



For operating instructions and replacement parts information, refer to the Owner's Manual.

This page is intentionally blank.