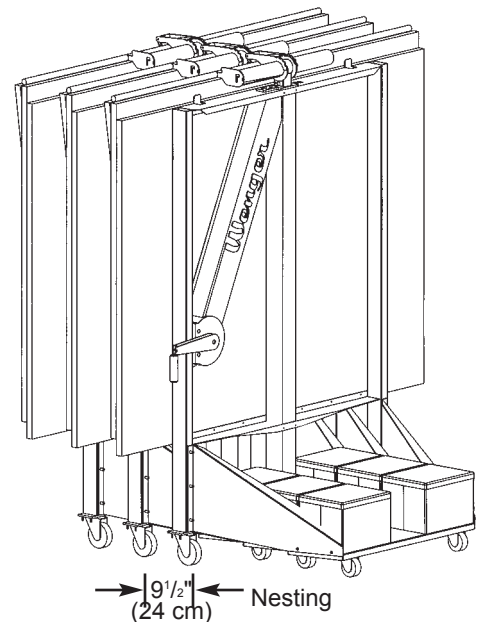
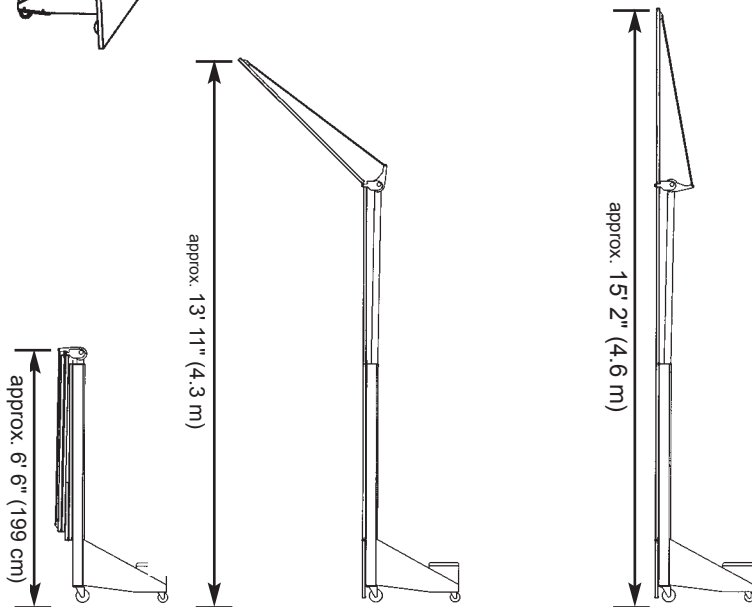
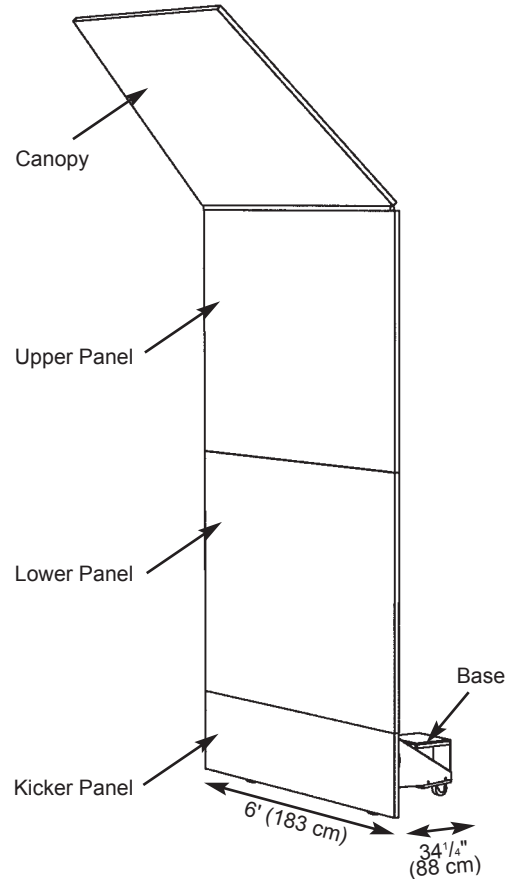
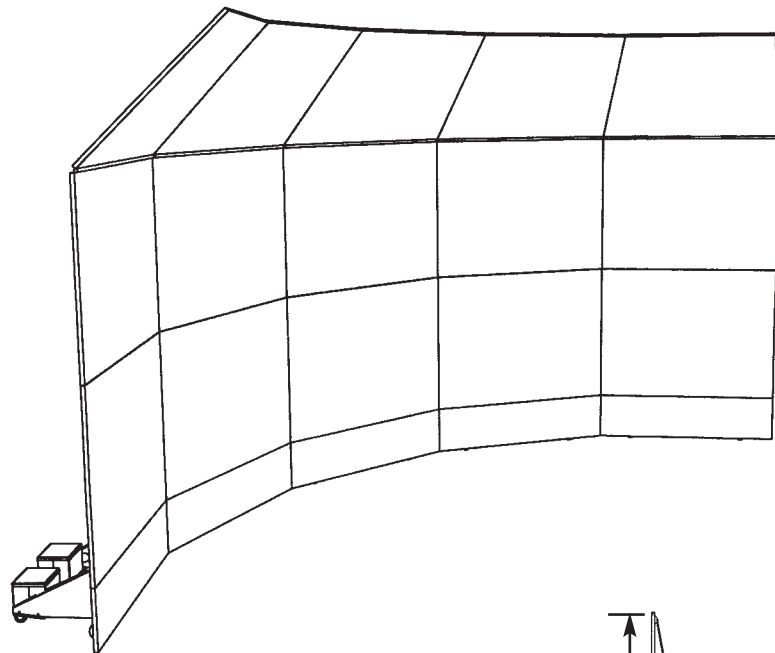


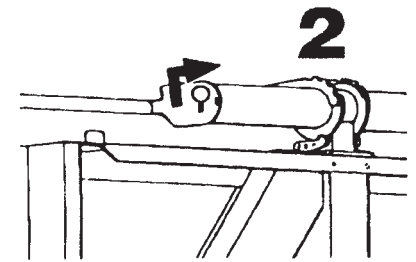
# Legacy™ Acoustical Shell

- Tapered Canopy: 186A300.
- Square Canopy: 186A301.
- Canopy Tool: 186A302.
- Safe one person operation with turn handle and canopy tool.
- Instructions for set up located on back of shell.
- Panels are a composite type providing a stiff acoustically reflective surface.
- Base and frame are constructed of durable steel and aluminum.
- Panel color is Oyster.
- Built in swivel casters allow for easy same level movement.
- Solid counterweight assembly assures sturdiness, safety, and security.
- Shells nest compactly.
- Multiple canopy angles allow flexibility in set up (45, 60, 75, 90 degrees)
- In storage position shells can be rolled through a standard doorway.
- Three year warranty.



## Legacy Shell Data:

Height Canopy at 45 degrees	13' 11" (424cm)
Max Height	15' 2" (462cm)
Storage Height	6' 6" (198cm)
Width	6' 0" (183cm)
Storage Depth	34 <sup>1</sup> / <sub>4</sub> " (87cm)
Nesting Depth	9 <sup>1</sup> / <sub>2</sub> " (24cm)
Canopy Depth	38" (97cm)
Panel Weight (approx.)	1.3 lbs. (.59 kg) per square foot
Unit Weight	380 lbs. (172 kg)



## Easy Set-Up Instructions:

1. Rotate kicker panel into performance position.
2. Move canopy lock to raise position.
3. Lift the canopy to the desired angle with the canopy tool.
4. Rotate the turn handle slowly clockwise to raise the panels.
5. Pull bottom edge of top panel back against bracket on frame. Turn handle counterclockwise 1/2 turn.

90°=0" (0 cm) Deep  
 75°=14" (36 cm) Deep  
 60°=27" (69 cm) Deep  
 45°=38.5" (98 cm) Deep

